

## LRM Voltage Indicator: CVI+ S1

### With 1 Relay Output

The Capacitive Voltage Indicator is designed for to use with MV capacitive voltage divider devices.

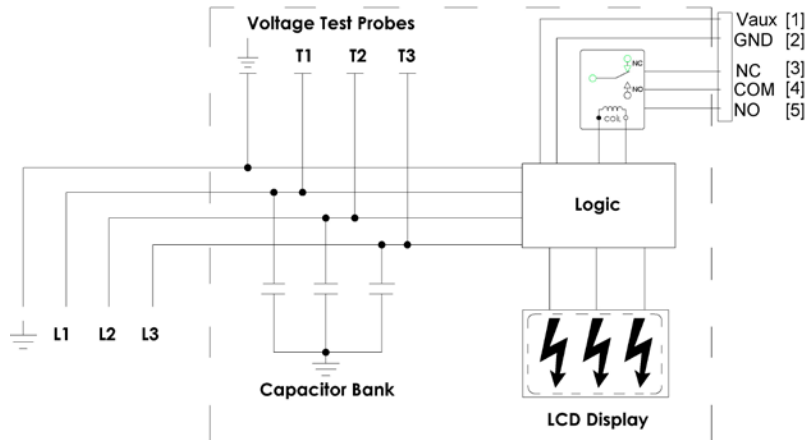


### Features:

- LRM system
- According to IEC 62271-213
- No auxiliary power is needed for voltage detection
- Wide auxiliary input range for relay power supply
- 3-Phase LCD display
- Change-over contact for status monitoring
- Easy for installation and maintenance
- Bigger screen

### Technical Parameters:




1. Rated frequency : 50Hz or 60Hz
2. Threshold voltage : 10% to 45%Un
3. Operating temperature: -25°C to +55°C
4. Storage temperature : -30°C to +80°C
5. Protection class : IP54
6. Connection leads : 4.8\*0.8mm fast-on term.
7. Dimension : 96\*50\*50mm
8. Cutting size : 91\*45mm
9. Contact output : 5A, 250VAC or 30VDC
10. Auxiliary power : 24 to 230V AC/DC
11. Power consumption : Less than 2W



Capacitive voltage Indicator with relay output

LRM Voltage Indicator: CVI+ S1

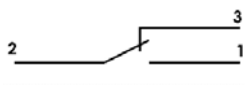
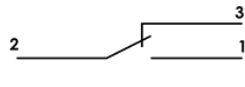
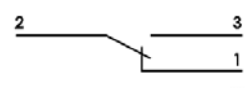
Indication Status:

INDICATION OF LCD	Indication with normal operation	Status of phase Voltage U
No indication	No Voltage	$U < 10\% * U_n$
	Display TEST	-
	Voltage Present (light black arrow)	$10\% * U_n < U < 45\% * U_n$
	Nominal Voltage Present (full arrow)	$U > 45\% * U_n$

Auxiliary Supply	Power (Red Led)
On	On
Off	Off

Function table (Type-1):

Phase Voltage	Auxiliary Supply	Voltage Indication	Relay 1	
			NO-COM 1-2	NC-COM 2-3
<10%	Off	Off	Off	On
>45%	Off	On	Off	On
<10%	On	Off	Off	On
>45%	On	On	On	Off

Vaux status	Phase voltage	Relay-1 Contact status
Off	For any status	 2-3
On	All phases <%10 Un	 2-3
On	At least one phase >%45 Un	 1-2

Type-1 Terminal connection	Relay
1	NO
2	COM
3	NC
<b>Energy supply</b>	
4	Vaux (24-230 V AC/DC)
5	Gnd (-)

Required data for order:

- Capacitance of coupling electrode C1
- C2 options; 3.3, 6.8, 10, 22, 47, 68, 80 nF
- Cable type and length
- Auxiliary power (24-230V AC/DC required)

